

ASTRON
RS-50
(rackmount)

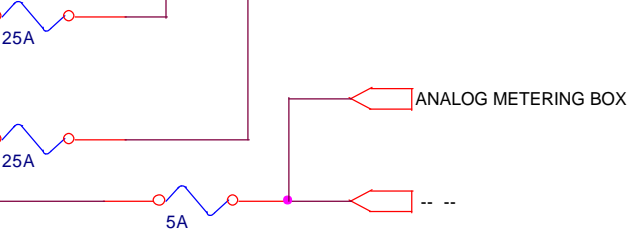
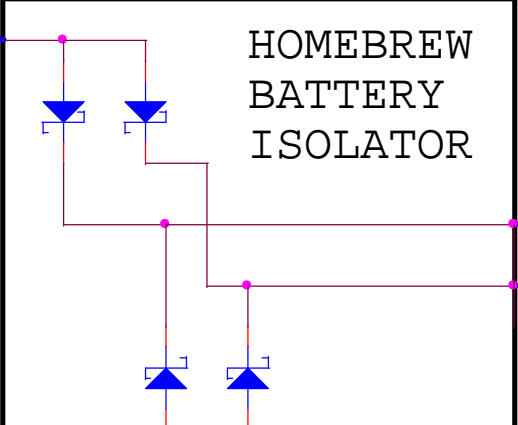
- 6M MITREK RPT TX-RX
- 6M MICOR 100W RF PA
- 6M RCA700 RCVR
- CTL RX RCV PREAMP
- 144MHZ MITREK RB XCVR
- 144MHZ RCV PREAMP
- 449.80MHZ RCVR (future)
- --
- --

ASTRON
RS-50

HOMEBREW
BATTERY
ISOLATOR

- 440 MITREK RPT TX-RX
- FCC LEGAL CONTROLLER
(feeds rc210 & 222mhz rb)
- 440 RCV PREAMP
- RX VOTING CONTROLLER
- WEATHER RCVR
- --

12V BATTERY



KF8KK, Empire MI
IOOK - NMARC
wI0OK/R GLEN ARBOR - EMPIRE MI

Title		
DC POWER DISTRIBUTION		
Size	Document Number	Rev
A	POWER ROUTING	1.0
Date:	Tuesday, June 08, 2004	Sheet 1 of 1